

LASER-Marking



LASER mark on glass



Hi-res-mark on the surface of tempered glass

Take advantage of the variety and flexibility of LASER marking. Cerion offers you various laser-based marking processes that lead to very different appearances on or in the glass. Whether discreet or clearly visible, whether as frosting, internal engraving or in gold or silver. As marking systems, we offer you horizontal and vertical versions, which you can operate either as a stand-alone system or integrated into a line.

These are your benefits:

- Scratch-resistant, smooth and chemically resistant marking is possible.
- Resolution up to 2,000 dpi and with excellent contrast.
- Application of serial numbers and codes for serialization.
- No damage to the glass surface and no glass weakening.
- Can be used on glass before and after the tempering process as well as on coated glass surfaces.
- Very fast, flexible and touch-free marking method with marking times in the range of seconds.
- On request also with integrated fingerprint as counterfeit protection.
- On request with data interface to your order management software for automatic marking.

Use Cerion's LASER marking technology for the following applications:

Tempered glass marks, marks for vehicle glazing, automation of glass processing and tracking of parts, glass control panels, technical glass in general, decoration purposes, interior glass, luminaire covers, etc.

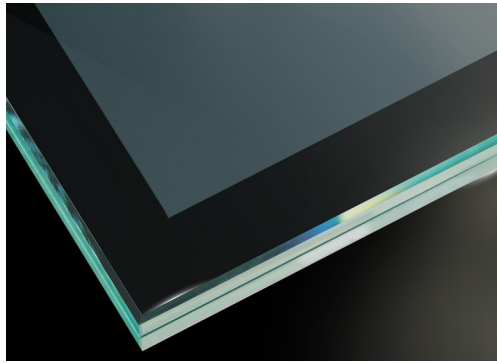


CERION laser GmbH
+49 (0)571 38863-50

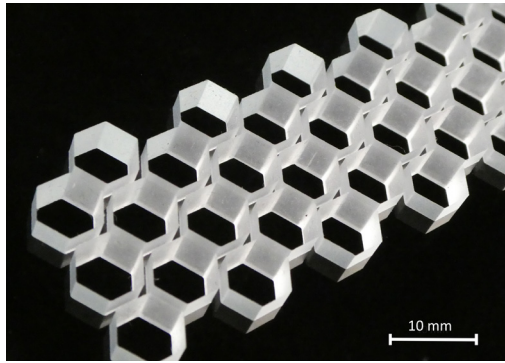
D-32429 Minden
www.cerion-laser.de

LASER-Marking

More applications of LASER processing:



Low-e edge stripping

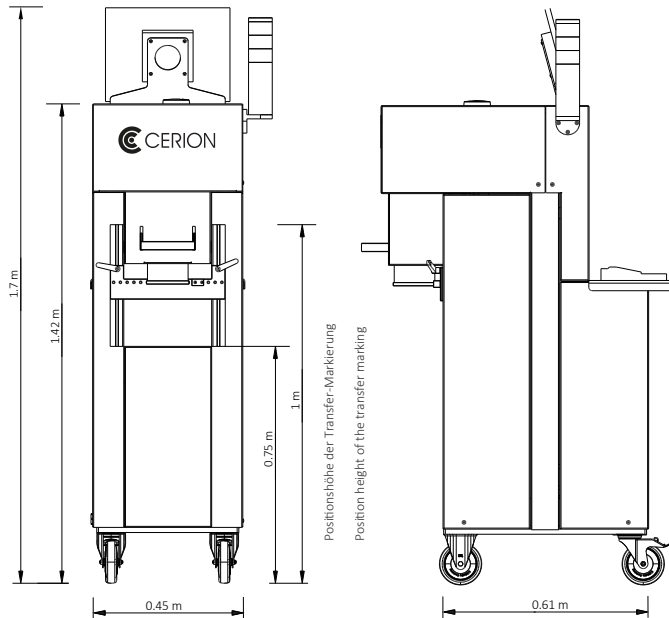


LASER drilling & cutting



Improved wireless reception

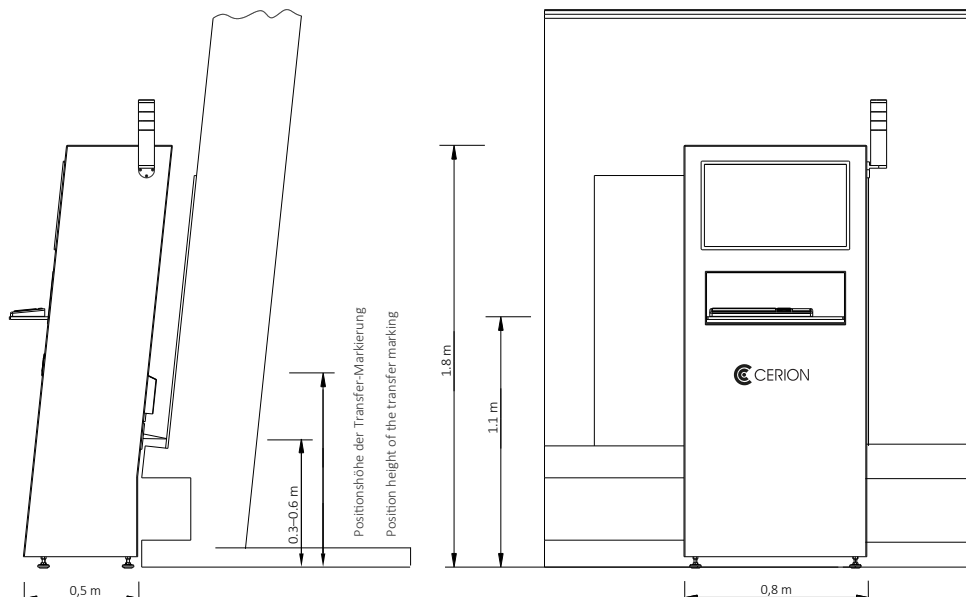
c-mark-h Horizontal LASER marking system



The c-mark-h is the compact stand-alone solution for flexible LASER marking but can also be modified for integration into production lines.

The vertical marking system c-mark-v can be easily integrated into production lines.

c-mark-v Vertical in-line LASER marking system



The Cerion laser GmbH is specialized in developing and manufacturing LASER-machines for glass processing. Benefit from more than 16 years of experience and over 300 machines sold for glass processing. We offer LASER machines for marking, edge deletion, structuring and ablation of thin coatings, for drilling/cutting/3D-structuring of glass as well as for frosting and decorating. We are happy to advise you also on other LASER processes and your requirements.



CERION laser GmbH
+49 (0)571 38863-50

D-32429 Minden
www.cerion-laser.de